

SCI-M | CARBIDE

Scientific Interface Module for CARBIDE

FEATURES

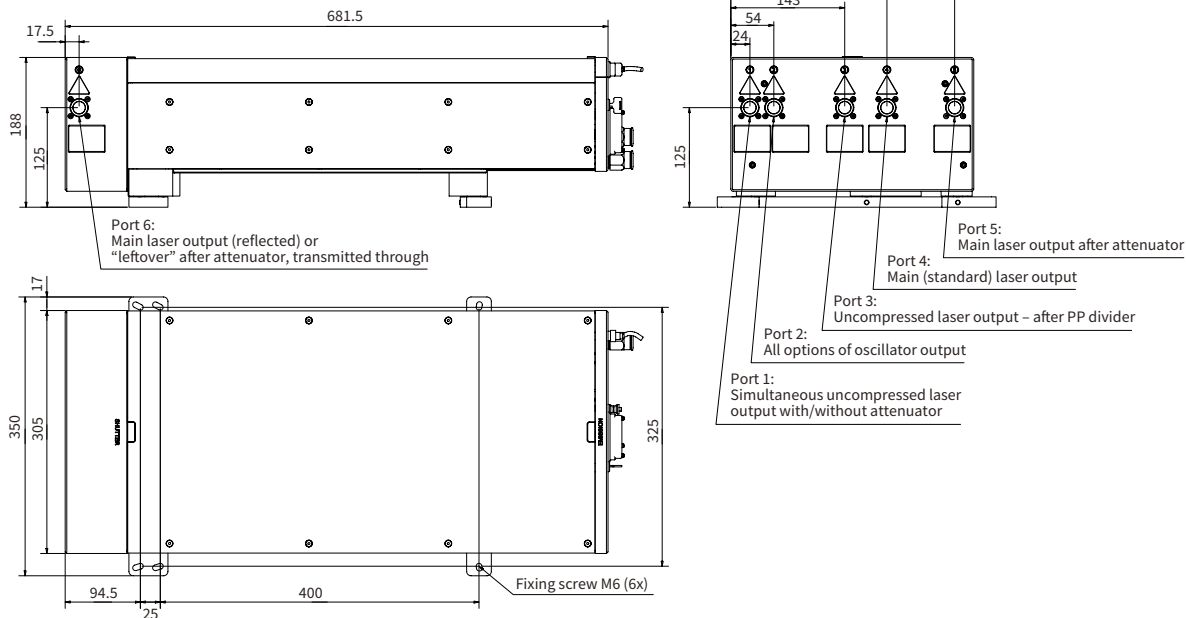
- Simultaneous or separate oscillator output
- Uncompressed laser output
- Seeding by an external oscillator
- Beam-splitting options



The CARBIDE scientific interface module extends the versatility of the industrial-grade laser and makes it particularly attractive to scientific applications. This module incorporates multiple options such as a simultaneous or separate oscillator output, a second compressed or uncompressed laser output, and seeding by an external oscillator. For example, using it,

the CARBIDE laser can be seeded by an oscillator from another CARBIDE laser, thus ensuring a precise optical synchronization between the two lasers. All the aforementioned outputs can be equipped with automated power attenuators. All options are compatible in between.

DRAWINGS



Drawing of CARBIDE-CB3-40-200 with scientific interface module