

ORPHEUS | N

Non-Collinear Optical Parametric Amplifier

FEATURES

- NOPA for the shortest tunable pulses
- Pulse duration down to < 30 fs
- Integrated prism compressor
- Adjustable spectral bandwidth and pulse duration
- Wavelength feedback with internal spectrometer

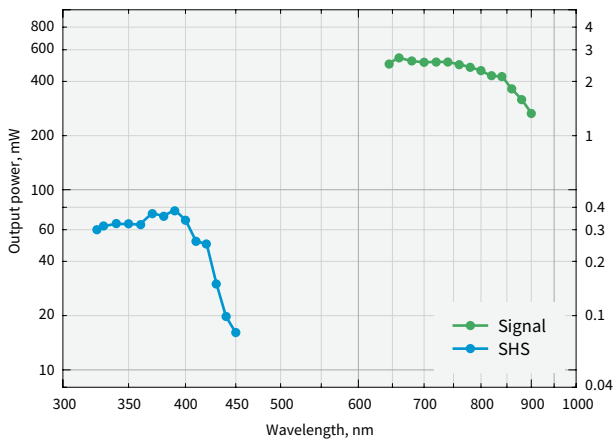


ORPHEUS-N is a non-collinear optical parametric amplifier (NOPA). Depending on the model, ORPHEUS-N has an integrated second- or third-harmonic generator producing a 515 nm or 343 nm pump, respectively. ORPHEUS-N with a second-harmonic pump (ORPHEUS-N-2H) delivers < 30 fs pulses in the 700 – 850 nm range. ORPHEUS-N with a third harmonic pump (ORPHEUS-N-3H) delivers < 30 fs pulses in the 530 – 670 nm range. Both have built-in prism-based pulse compressor. Furthermore, an optional second harmonic

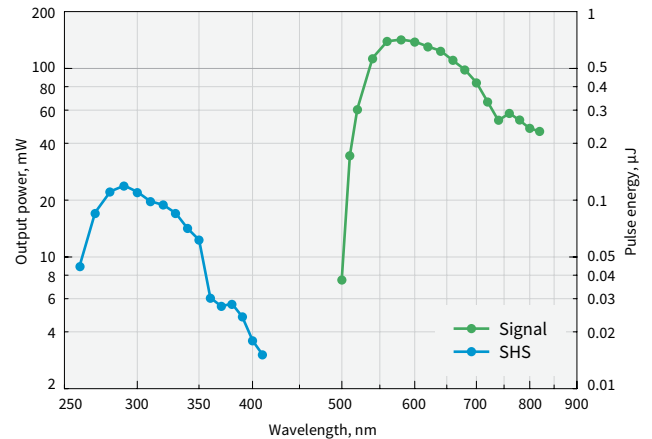
generator is available, extending the tuning range down to ultraviolet (UV) spectral range.

A single PHAROS or CARBIDE femtosecond laser can pump multiple NOPAs, providing pump and/or probe with independent wavelength tuning for your state-of-the-art experiments.

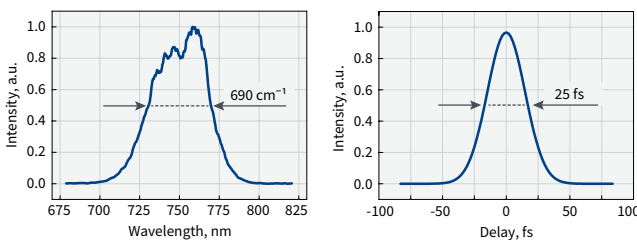
For broader tunability range, refer to ORPHEUS-F. For ultrashort pulses tunable around 500 nm, refer to ORPHEUS-VIS.



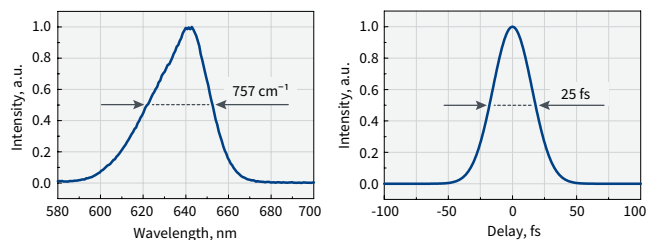
Typical tuning curves of **ORPHEUS-N-2H**
Pump: 6 W, 30 µJ, 200 kHz



Typical tuning curves of **ORPHEUS-N-3H**
Pump: 6 W, 30 µJ, 200 kHz



Typical output of **ORPHEUS-N-2H**



Typical output of **ORPHEUS-N-3H**

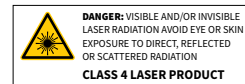
For custom tuning curves visit <http://toolbox.lightcon.com/tools/tuningcurves/>

SPECIFICATIONS

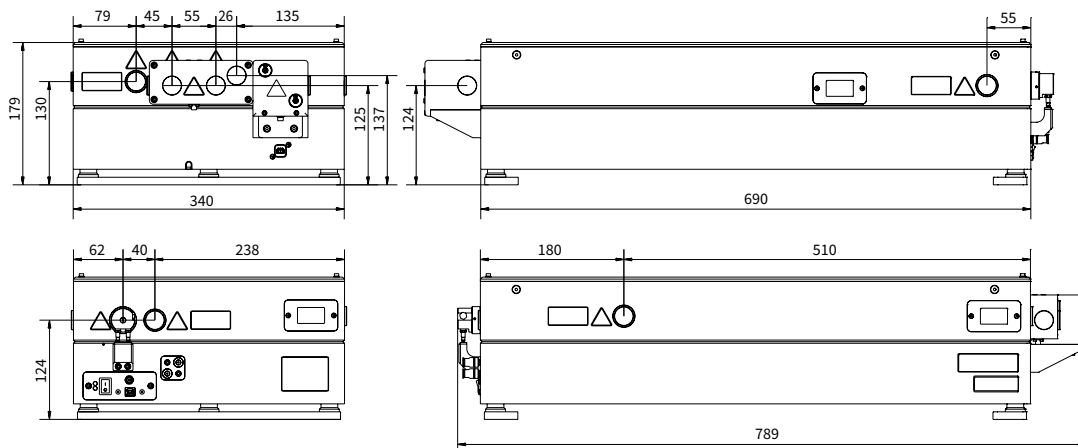
Model	ORPHEUS-N-2H	ORPHEUS-N-3H
MAIN OUTPUT		
Tuning range	650 – 900 nm (Signal)	520 – 900 nm (Signal)
Maximum pump power	8 W	
Pump pulse energy	10 – 200 μ J	12 – 200 μ J
Conversion efficiency	> 7% @ 700 nm > 5% @ 800 nm	> 1.3% @ 580 nm > 0.7% @ 700 nm > 0.3% @ 800 nm
Integrated 2H / 3H generation efficiency ¹⁾	> 35% (515 nm)	> 25% (343 nm)
Pulse duration after compressor	< 30 fs @ 700 – 850 nm	< 30 fs @ 530 – 670 nm < 80 fs @ 670 – 900 nm
Long-term power stability, 8 h ²⁾	< 2% @ 800 nm	< 2% @ 580 nm
Pulse-to-pulse energy stability, 1 min ²⁾	< 2% @ 800 nm	< 2% @ 580 nm
WAVELENGTH EXTENSIONS		
Tuning range (SHS)	325 – 450 nm	260 – 450 nm
Conversion efficiency	> 0.7 % @ 350 nm	> 0.15 % @ 290 nm

¹⁾ Not simultaneous to NOPA output.

²⁾ Expressed as NRMSD (normalized root mean squared deviation).



DRAWINGS



ORPHEUS-N drawings